



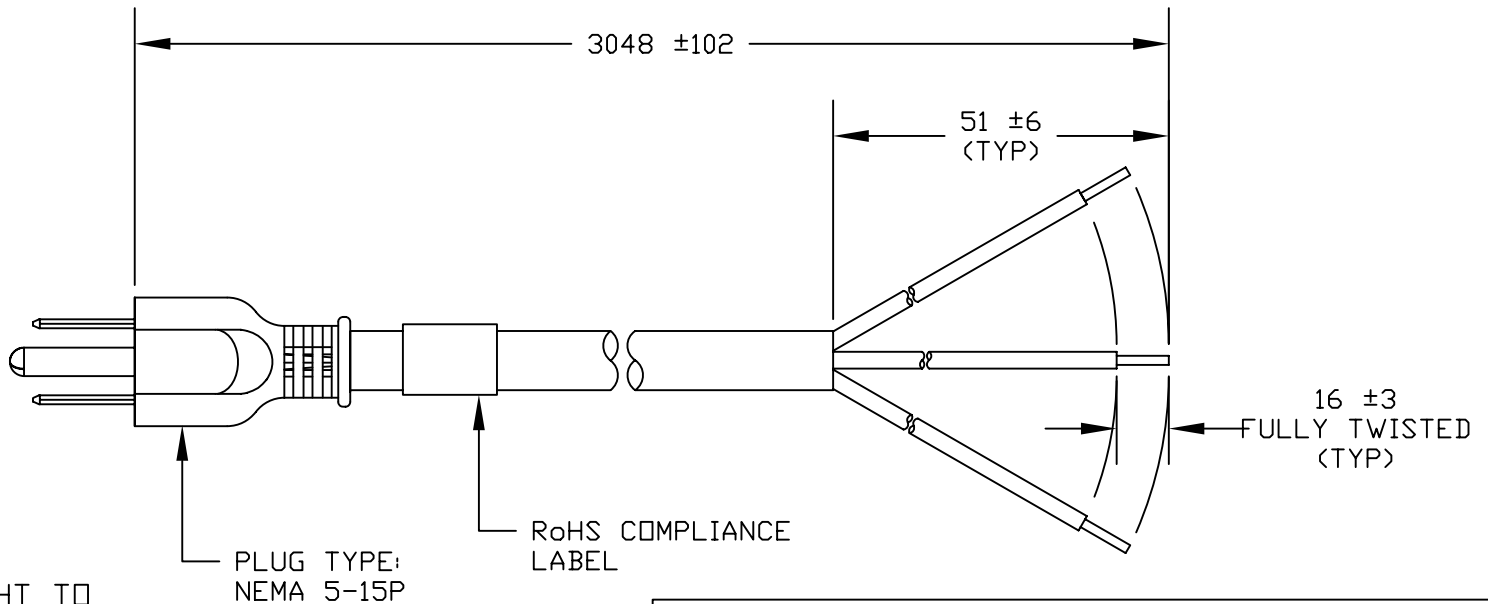
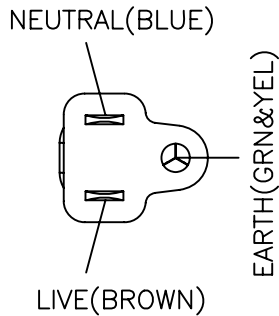
VOLEX

GROUP

## Standard Cord Details: 17513 10 B1

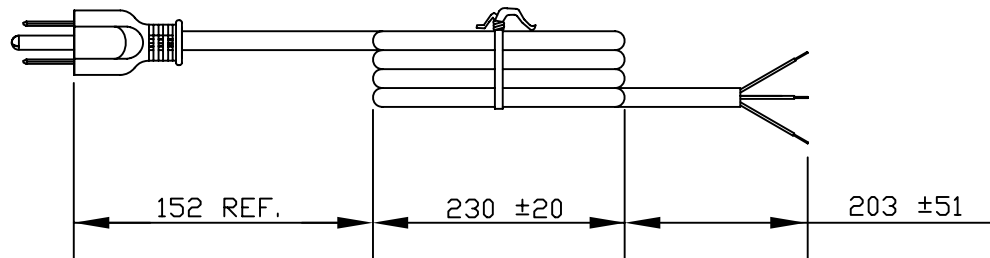


Specifications	
<b>Certifications</b>	
<b>Part Number</b>	17513 10 B1
<b>Connector Type</b>	none
<b>Plug Type</b>	5-15P
<b>Category</b>	Plastic
<b>Application</b>	Non-Detachable
<b>Plug Catalog No.</b>	
<b>Connector Catalog No.</b>	
<b>Cable</b>	SJT AWG 18x3
<b>Jacket Color</b>	black
<b>Length in Feet</b>	9'10
<b>Length in Meters</b>	3
<b>Temperature Rating</b>	60 C
<b>Packaging Units Per Carton</b>	H-100,H-25
<b>Color Coding</b>	International
<b>Nominal OD in Inches</b>	0.315
<b>Nominal OD in Millimeters</b>	8



VOLEX RESERVES THE RIGHT TO ALTER NON-CRITICAL DIMENSIONS WITHOUT NOTICE.

PACKAGING: FOLD & TIE



**NOTES:**

- 1) CORDAGE: 18/3 SJT, 60°C, BLACK
- 2) APPROVALS:
- 3) RATING: 10 AMP/125 VOLTS
- 4) FLAME RATING : FT2
- 5) PACKAGING: 60 PIECES/CARTON
- 6) ALL DIMENSIONS IN MILLIMETERS.

REV	DESCRIPTION	DATE
2	REVISED TO SHOW CHINA MANUFACTURED CORD	11/26/07
1	C.U.D - NEW RELEASE	9/17/07



FORM IN71-07 REV.A

- Indianapolis, IN
- Conover, N.C.
- Freemont, CA
- Aguascalientes, MX
- Tijuana, Mexico
- Hermosillo, MX
- Clinton, AR
- Kanata, Canada

**Proprietary Notice:**

This document is the property of Volex Incorporated. The information contained herein is not to be disclosed to anyone without the express written consent of Volex Inc.

**MATERIAL:**  
PLUG: PVC, BLACK  
JACKET: PVC, BLACK

**FINISH:**  
JACKET: SMOOTH

**SCALE:**  
NOT TO SCALE

**ECD:**  
N/A

**ITEM DESCRIPTION**  
CORDSET - NORTH AMERICAN  
POWER SUPPLY CORD (9'10")

**TOLERANCE UNLESS OTHERWISE SPECIFIED**  
.XXX ± .005  
.XX ± .02  
.X ± .03  
FRACT. ± 1/32  
ANGULAR ± 1/2°

<b>APPROVED</b> STC	<b>DRAWN BY</b> STC	<b>DATE:</b> 9/17/07
------------------------	------------------------	-------------------------

**PART NO.**  
17513 10 B1